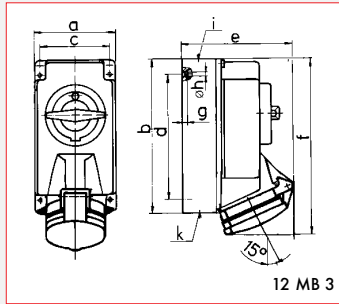


## WANDCONTACTDOZEN AFSCHAKEL-, VERGRENDELBAAR

IEC 309, EN 60309, VDE 0623

Beschermingsfactor IP44

Behuizing en binnenwerk uit hoogwaardige kunststof  
openingsrichting van de klapdeksel verhindert  
het indringen van stof, vocht en vuil

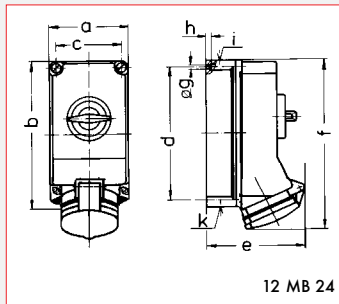


12 MB 3

| AMPERE          | 16      |         |         |
|-----------------|---------|---------|---------|
| AANTAL POLEN    | 3       | 4       | 5       |
| a               | 90,0    | 90,0    | 90,0    |
| b               | 170,0   | 170,0   | 170,0   |
| c               | 77,0    | 77,0    | 77,0    |
| d               | 137,5   | 137,5   | 137,5   |
| e               | 108,0   | 114,0   | 121,0   |
| f               | 188,5   | 188,5   | 190,0   |
| g               | 6,0     | 6,0     | 6,0     |
| h $\varnothing$ | 5,5     | 5,5     | 5,5     |
| i               | M 20    | M 20    | M 20    |
| k               | M 20/25 | M 20/25 | M 20/25 |

### Wandcontactdoos

- Afschakelbaar
- In 0-positie afsluitbaar
- Met mechanische dubbelvergrendeling
- Spatwaterdicht IP44

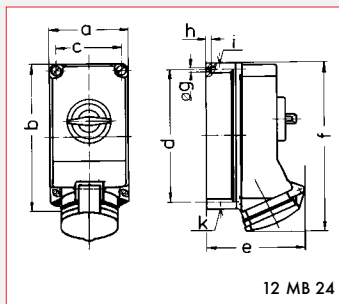


12 MB 24

| AMPERE          | 16       |          |
|-----------------|----------|----------|
| AANTAL POLEN    | 4        | 5        |
| a               | 118,0    | 118,0    |
| b               | 225,0    | 225,0    |
| c               | 101,0    | 101,0    |
| d               | 208,0    | 208,0    |
| e               | 126,0    | 134,0    |
| f               | 242,0    | 242,0    |
| g $\varnothing$ | 6,5      | 6,5      |
| h               | 8,0      | 8,0      |
| i               | 2 x M 25 | 2 x M 25 |
| k               | 2 x M 25 | 2 x M 25 |

### Wandcontactdoos

- Afschakelbaar
- In 0-positie afsluitbaar
- Met mechanische dubbelvergrendeling
- Spatwaterdicht IP44

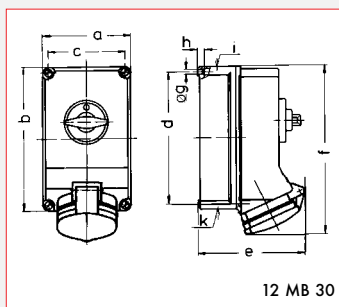


12 MB 24

| AMPERE          | 32       |          |          |
|-----------------|----------|----------|----------|
| AANTAL POLEN    | 3        | 4        | 5        |
| a               | 118,0    | 118,0    | 118,0    |
| b               | 225,0    | 225,0    | 225,0    |
| c               | 101,0    | 101,0    | 101,0    |
| d               | 208,0    | 208,0    | 208,0    |
| e               | 137,0    | 137,0    | 144,0    |
| f               | 251,0    | 251,0    | 251,0    |
| g $\varnothing$ | 6,5      | 6,5      | 6,5      |
| h               | 8,0      | 8,0      | 8,0      |
| i               | 2 x M 25 | 2 x M 25 | 2 x M 25 |
| k               | 2 x M 25 | 2 x M 25 | 2 x M 25 |

### Wandcontactdoos

- Afschakelbaar
- In 0-positie afsluitbaar
- Met mechanische dubbelvergrendeling
- Spatwaterdicht IP44

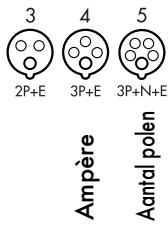


12 MB 30

| AMPERE          | 63      |         |         |
|-----------------|---------|---------|---------|
| AANTAL POLEN    | 3       | 4       | 5       |
| a               | 160,0   | 160,0   | 160,0   |
| b               | 260,0   | 260,0   | 260,0   |
| c               | 140,0   | 140,0   | 140,0   |
| d               | 240,0   | 240,0   | 240,0   |
| e               | 184,0   | 184,0   | 184,0   |
| f               | 302,0   | 302,0   | 302,0   |
| g $\varnothing$ | 8,1     | 8,1     | 8,1     |
| h               | 10,0    | 10,0    | 10,0    |
| i               | M 40    | M 40    | M 40    |
| k               | M 32/40 | M 32/40 | M 32/40 |


### Wandcontactdoos


- Afschakelbaar
- In 0-positie afsluitbaar
- Met mechanische dubbelvergrendeling
- Kontex-plus
- Raamklemmen
- Spatwaterdicht IP44





| 110V<br>50-60 Hz |            |            | 230V<br>50-60 Hz |            |            | 400V<br>50-60 Hz |            |            | 500V<br>50-60 Hz |            |            | 100-300<br>Hz<br>> 50V |             |             | 301-500<br>Hz<br>> 50V |            |            |
|------------------|------------|------------|------------------|------------|------------|------------------|------------|------------|------------------|------------|------------|------------------------|-------------|-------------|------------------------|------------|------------|
| 3pol<br>4h       | 4pol<br>4h | 5pol<br>4h | 3pol<br>6h       | 4pol<br>9h | 5pol<br>9h | 3pol<br>9h       | 4pol<br>6h | 5pol<br>6h | 3pol<br>7h       | 4pol<br>7h | 5pol<br>7h | 3pol<br>10h            | 4pol<br>10h | 5pol<br>10h | 3pol<br>2h             | 4pol<br>2h | 5pol<br>2h |

Verp.  
eenh.      Gewicht  
  
G/  
stuk

|   |    |   |  |       |       |       |  |  |  |  |  |  |  |  |  |  |  |   |     |
|---|----|---|--|-------|-------|-------|--|--|--|--|--|--|--|--|--|--|--|---|-----|
|  | 16 | 3 |  | 16 19 |       |       |  |  |  |  |  |  |  |  |  |  |  | 1 | 640 |
|   | 16 | 4 |  | 16 41 | 16 10 | 16 16 |  |  |  |  |  |  |  |  |  |  |  | 1 | 720 |
|   | 16 | 5 |  | 16 42 | 16 11 |       |  |  |  |  |  |  |  |  |  |  |  | 1 | 730 |

|   |    |   |  |        |        |        |  |  |  |  |  |  |  |  |  |  |  |   |      |
|---|----|---|--|--------|--------|--------|--|--|--|--|--|--|--|--|--|--|--|---|------|
|  | 16 | 4 |  | 16 058 | 16 038 | 16 064 |  |  |  |  |  |  |  |  |  |  |  | 1 | 1150 |
|   | 16 | 5 |  |        | 16 039 |        |  |  |  |  |  |  |  |  |  |  |  | 1 | 1160 |

|   |    |   |  |        |        |        |  |  |  |  |  |  |  |  |  |  |  |   |      |
|---|----|---|--|--------|--------|--------|--|--|--|--|--|--|--|--|--|--|--|---|------|
|  | 32 | 3 |  | 16 097 |        |        |  |  |  |  |  |  |  |  |  |  |  | 1 | 1260 |
|   | 32 | 4 |  | 16 060 | 16 042 | 16 066 |  |  |  |  |  |  |  |  |  |  |  | 1 | 1280 |
|   | 32 | 5 |  |        | 16 043 |        |  |  |  |  |  |  |  |  |  |  |  | 1 | 1290 |

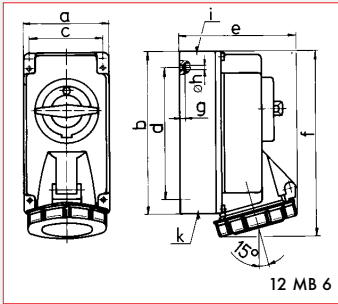
|   |    |   |  |        |        |        |  |  |  |  |  |  |  |  |  |  |  |   |      |
|---|----|---|--|--------|--------|--------|--|--|--|--|--|--|--|--|--|--|--|---|------|
|  | 63 | 3 |  | 16 956 |        |        |  |  |  |  |  |  |  |  |  |  |  | 1 | 2840 |
|   | 63 | 4 |  | 16 933 | 16 605 | 16 827 |  |  |  |  |  |  |  |  |  |  |  | 1 | 2900 |
|   | 63 | 5 |  |        | 16 603 |        |  |  |  |  |  |  |  |  |  |  |  | 1 | 3030 |

Wanneer pilotcontact gewenst dan artnr. + P bestellen.

## WANDCONTACTDOZEN AFSCHAKEL-, VERGRENDELBAAR

IEC 309, EN 60309, VDE 0623, bescherm.factor IP67

Behuizing en binnenwerk uit hoogwaardige kunststof  
openingsrichting van de klapdeksel verhindert  
het indringen van stof, vocht en vuil

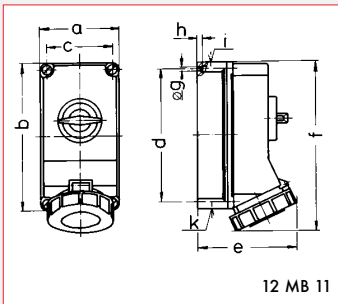


12 MB 6

| AMPERE        | 16      |         |         |
|---------------|---------|---------|---------|
| AANTAL POLEN  | 3       | 4       | 5       |
| a             | 90,0    | 90,0    | 90,0    |
| b             | 170,0   | 170,0   | 170,0   |
| c             | 77,0    | 77,0    | 77,0    |
| d             | 137,5   | 137,5   | 137,5   |
| e             | 108,0   | 115,0   | 121,0   |
| f             | 191,5   | 191,5   | 191,5   |
| g             | 6,0     | 6,0     | 6,0     |
| h $\emptyset$ | 5,5     | 5,5     | 5,5     |
| i             | M 20    | M 20    | M 20    |
| k             | M 20/25 | M 20/25 | M 20/25 |

### Wandcontactdoos

- Afgeschakelbaar
- In 0-positie afsluitbaar
- Met mechanische dubbelvergrendeling
- Waterdicht IP67

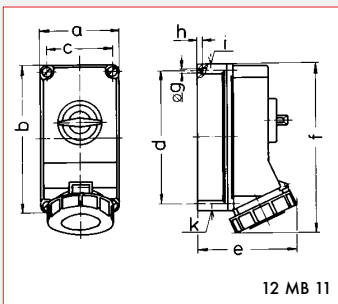


12 MB 11

| AMPERE        | 16       |          |
|---------------|----------|----------|
| AANTAL POLEN  | 4        | 5        |
| a             | 118,0    | 118,0    |
| b             | 225,0    | 225,0    |
| c             | 101,0    | 101,0    |
| d             | 208,0    | 208,0    |
| e             | 127,0    | 134,0    |
| f             | 245,0    | 245,0    |
| g $\emptyset$ | 6,5      | 6,5      |
| h             | 8,0      | 8,0      |
| i             | 2 x M 25 | 2 x M 25 |
| k             | 2 x M 25 | 2 x M 25 |

### Wandcontactdoos

- Afgeschakelbaar
- In 0-positie afsluitbaar
- Met mechanische dubbelvergrendeling
- Waterdicht IP67

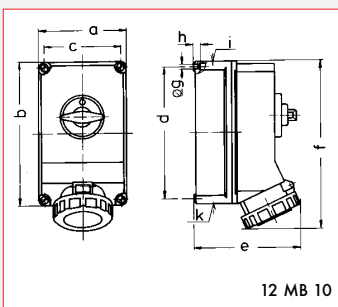


12 MB 11

| AMPERE        | 32       |          |          |
|---------------|----------|----------|----------|
| AANTAL POLEN  | 3        | 4        | 5        |
| 18,0          | 118,0    | 118,0    | 118,0    |
| b             | 225,0    | 225,0    | 225,0    |
| c             | 101,0    | 101,0    | 101,0    |
| d             | 208,0    | 208,0    | 208,0    |
| e             | 143,0    | 143,0    | 149,0    |
| f             | 255,0    | 255,0    | 255,0    |
| g $\emptyset$ | 6,5      | 6,5      | 6,5      |
| h             | 8,0      | 8,0      | 8,0      |
| i             | 2 x M 25 | 2 x M 25 | 2 x M 25 |
| k             | 2 x M 25 | 2 x M 25 | 2 x M 25 |

### Wandcontactdoos

- Afgeschakelbaar
- In 0-positie afsluitbaar
- Met mechanische dubbelvergrendeling
- Waterdicht IP67

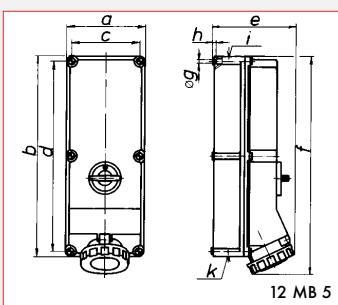


12 MB 10

| AMPERE        | 63      |         |         |
|---------------|---------|---------|---------|
| AANTAL POLEN  | 3       | 4       | 5       |
| a             | 160,0   | 160,0   | 160,0   |
| b             | 260,0   | 260,0   | 260,0   |
| c             | 140,0   | 140,0   | 140,0   |
| d             | 240,0   | 240,0   | 240,0   |
| e             | 195,0   | 195,0   | 195,0   |
| f             | 304,0   | 304,0   | 304,0   |
| g $\emptyset$ | 8,1     | 8,1     | 8,1     |
| h             | 10,0    | 10,0    | 10,0    |
| i             | M 40    | M 40    | M 40    |
| k             | M 32/40 | M 32/40 | M 32/40 |

### Wandcontactdoos

- Afgeschakelbaar
- In 0-positie afsluitbaar
- Met mechanische dubbelvergrendeling
- Kontex-plus
- Raamklemmen
- Waterdicht IP67

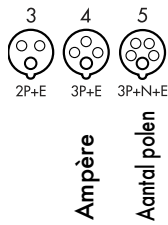


12 MB 5

| AMPERE        | 125     |         |         |
|---------------|---------|---------|---------|
| AANTAL POLEN  | 3       | 4       | 5       |
| a             | 180,0   | 180,0   | 180,0   |
| b             | 460,0   | 460,0   | 460,0   |
| c             | 160,0   | 160,0   | 160,0   |
| d             | 440,0   | 440,0   | 440,0   |
| e             | 208,0   | 208,0   | 208,0   |
| f             | 510,0   | 510,0   | 510,0   |
| g $\emptyset$ | 8,3     | 8,3     | 8,3     |
| h             | 6,5     | 6,5     | 6,5     |
| i             | M 40    | M 40    | M 40    |
| k             | M 40/50 | M 40/50 | M 40/50 |

### Wandcontactdoos

- Afgeschakelbaar
- In 0-positie afsluitbaar
- Met mechanische dubbelvergrendeling
- Kontex-plus
- Raamklemmen
- Waterdicht IP67



| 110V<br>50-60 Hz |            |            | 230V<br>50-60 Hz |            |            | 400V<br>50-60 Hz |            |            | 500V<br>50-60 Hz |            |            | 100-300<br>Hz<br>> 50V |             |             | 301-500<br>Hz<br>> 50V |            |            |
|------------------|------------|------------|------------------|------------|------------|------------------|------------|------------|------------------|------------|------------|------------------------|-------------|-------------|------------------------|------------|------------|
| 3pol<br>4h       | 4pol<br>4h | 5pol<br>4h | 3pol<br>6h       | 4pol<br>9h | 5pol<br>9h | 3pol<br>9h       | 4pol<br>6h | 5pol<br>6h | 3pol<br>7h       | 4pol<br>7h | 5pol<br>7h | 3pol<br>10h            | 4pol<br>10h | 5pol<br>10h | 3pol<br>2h             | 4pol<br>2h | 5pol<br>2h |

Verp.  
eenh.      Gewicht  
  
G/  
stuk

|  |    |   |  |         |         |         |  |  |  |  |  |  |  |  |  |  |   |     |
|--|----|---|--|---------|---------|---------|--|--|--|--|--|--|--|--|--|--|---|-----|
|  | 16 | 3 |  | 16 00   | 16 0056 |         |  |  |  |  |  |  |  |  |  |  | 1 | 740 |
|  | 16 | 4 |  | 16 0053 | 16 0049 | 16 0057 |  |  |  |  |  |  |  |  |  |  | 1 | 770 |
|  | 16 | 5 |  | 16 0055 | 16 0052 | 16 0058 |  |  |  |  |  |  |  |  |  |  | 1 | 780 |

|  |    |   |  |        |        |        |  |  |  |  |  |  |  |  |  |  |   |      |
|--|----|---|--|--------|--------|--------|--|--|--|--|--|--|--|--|--|--|---|------|
|  | 16 | 4 |  | 16 059 | 16 040 | 16 065 |  |  |  |  |  |  |  |  |  |  | 1 | 1170 |
|  | 16 | 5 |  |        | 16 041 |        |  |  |  |  |  |  |  |  |  |  |   | 1    |

|  |    |   |  |        |         |         |  |  |  |  |  |  |  |  |  |  |   |      |
|--|----|---|--|--------|---------|---------|--|--|--|--|--|--|--|--|--|--|---|------|
|  | 32 | 3 |  | 16 104 |         |         |  |  |  |  |  |  |  |  |  |  | 1 | 1320 |
|  | 32 | 4 |  | 16 875 | 16 0178 | 16 0179 |  |  |  |  |  |  |  |  |  |  | 1 | 1340 |
|  | 32 | 5 |  |        | 16 0177 |         |  |  |  |  |  |  |  |  |  |  | 1 | 1350 |

|  |    |   |  |        |        |        |  |  |  |  |  |  |  |  |  |  |   |      |
|--|----|---|--|--------|--------|--------|--|--|--|--|--|--|--|--|--|--|---|------|
|  | 63 | 3 |  | 16 606 |        |        |  |  |  |  |  |  |  |  |  |  | 1 | 2900 |
|  | 63 | 4 |  | 16 934 | 16 604 | 16 828 |  |  |  |  |  |  |  |  |  |  | 1 | 2960 |
|  | 63 | 5 |  |        | 16 602 |        |  |  |  |  |  |  |  |  |  |  | 1 | 3100 |

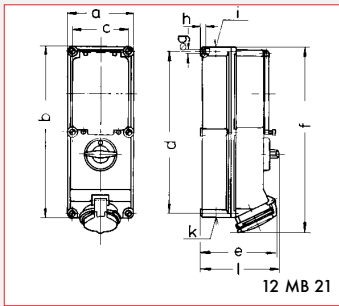
Wanneer pilotcontact gewenst dan artnr. + P bestellen.

|  |     |   |  |        |        |        |  |  |  |  |  |  |  |  |  |  |   |      |
|--|-----|---|--|--------|--------|--------|--|--|--|--|--|--|--|--|--|--|---|------|
|  | 125 | 3 |  | 16 620 |        |        |  |  |  |  |  |  |  |  |  |  | 2 | 5740 |
|  | 125 | 4 |  | 16 930 | 16 621 | 16 831 |  |  |  |  |  |  |  |  |  |  | 2 | 5800 |
|  | 125 | 5 |  |        | 16 622 |        |  |  |  |  |  |  |  |  |  |  | 2 | 5900 |

Wanneer pilotcontact gewenst dan artnr. + P bestellen.

## WANDCONTACTDOZEN AFSCHAKEL-, VERGRENDELBAAR EN GEZEKERD

IEC 309, EN 60309, VDE 0623, beschermingsfactor IP44 en IP67  
Behuizing en binnenwerk uit hoogwaardige kunststof

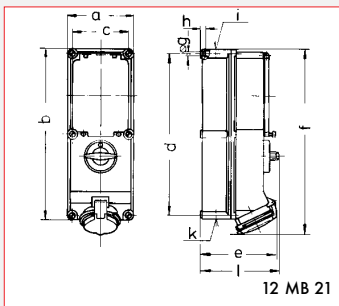


12 MB 21

| AMPERE  | 16      |         | 32      |         | 63      |         |
|---------|---------|---------|---------|---------|---------|---------|
| POLZAHL | 4       | 5       | 4       | 5       | 4       | 5       |
| a       | 134,0   | 134,0   | 134,0   | 134,0   | 180,0   | 180,0   |
| b       | 365,0   | 365,0   | 365,0   | 365,0   | 460,0   | 460,0   |
| c       | 117,0   | 117,0   | 117,0   | 117,0   | 160,0   | 160,0   |
| d       | 348,0   | 348,0   | 348,0   | 348,0   | 440,0   | 440,0   |
| e       | 135,0   | 141,0   | 146,0   | 152,0   | 184,0   | 184,0   |
| f       | 382,0   | 382,0   | 391,0   | 391,0   | 500,0   | 500,0   |
| g Ø     | 6,5     | 6,5     | 6,5     | 6,5     | 8,3     | 8,3     |
| h       | 8,0     | 8,0     | 8,0     | 8,0     | 6,5     | 6,5     |
| i       | M 25/32 | M 25/32 | M 32/40 | M 32/40 | M 40    | M 40    |
| k       | M 25/32 | M 25/32 | M 32/40 | M 32/40 | M 32/40 | M 32/40 |
| l       | 156,0   | 156,0   | 156,0   | 156,0   | 189,0   | 189,0   |

### Wandcontactdoos

- Afschakelbaar, vergrendeld
- Met DIN-rail
- 6 TE bij 16 & 32 A
- 8 TE bij 63A
- In 0-positie afsluitbaar
- Hittebestendige contactdrager
- Vernikkelde contacten
- 63A: Kontex-plus en raamklemmen
- Spatwaterdicht IP44

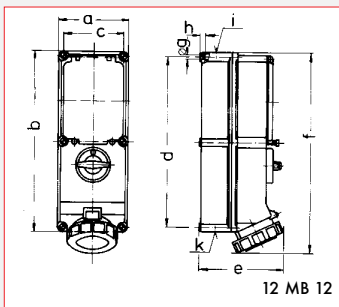


12 MB 21

| AMPERE  | 16      |         | 32      |         | 63      |         |
|---------|---------|---------|---------|---------|---------|---------|
| POLZAHL | 4       | 5       | 4       | 5       | 4       | 5       |
| a       | 134,0   | 134,0   | 134,0   | 134,0   | 180,0   | 180,0   |
| b       | 365,0   | 365,0   | 365,0   | 365,0   | 460,0   | 460,0   |
| c       | 117,0   | 117,0   | 117,0   | 117,0   | 160,0   | 160,0   |
| d       | 348,0   | 348,0   | 348,0   | 348,0   | 440,0   | 440,0   |
| e       | 135,0   | 141,0   | 146,0   | 152,0   | 184,0   | 184,0   |
| f       | 382,0   | 382,0   | 391,0   | 391,0   | 500,0   | 500,0   |
| g Ø     | 6,5     | 6,5     | 6,5     | 6,5     | 8,3     | 8,3     |
| h       | 8,0     | 8,0     | 8,0     | 8,0     | 6,5     | 6,5     |
| i       | M 25/32 | M 25/32 | M 32/40 | M 32/40 | M 40    | M 40    |
| k       | M 25/32 | M 25/32 | M 32/40 | M 32/40 | M 32/40 | M 32/40 |
| l       | 156,0   | 156,0   | 156,0   | 156,0   | 189,0   | 189,0   |

### Wandcontactdoos

- Afschakelbaar, vergrendeld
- Met 3 pol. C-automat
- In 0-positie afsluitbaar
- Hittebestendige contactdrager
- Vernikkelde contacten
- 63A: Kontex-plus en raamklemmen
- Spatwaterdicht IP44

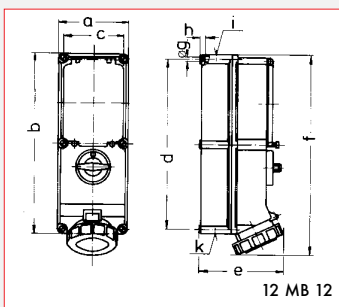


12 MB 12

| AMPERE  | 16      |         | 32      |         | 63      |         |
|---------|---------|---------|---------|---------|---------|---------|
| POLZAHL | 4       | 5       | 4       | 5       | 4       | 5       |
| a       | 134,0   | 134,0   | 134,0   | 134,0   | 180,0   | 180,0   |
| b       | 365,0   | 365,0   | 365,0   | 365,0   | 460,0   | 460,0   |
| c       | 117,0   | 117,0   | 117,0   | 117,0   | 160,0   | 160,0   |
| d       | 348,0   | 348,0   | 348,0   | 348,0   | 440,0   | 440,0   |
| e       | 136,0   | 143,0   | 152,0   | 158,0   | 191,0   | 191,0   |
| f       | 389,0   | 389,0   | 399,0   | 399,0   | 500,0   | 500,0   |
| g Ø     | 6,5     | 6,5     | 6,5     | 6,5     | 8,3     | 8,3     |
| h       | 8,0     | 8,0     | 8,0     | 8,0     | 6,5     | 6,5     |
| i       | M 25/32 | M 25/32 | M 32/40 | M 32/40 | M 40    | M 40    |
| k       | M 25/32 | M 25/32 | M 32/40 | M 32/40 | M 32/40 | M 32/40 |

### Wandcontactdoos

- Afschakelbaar, vergrendeld
- Met DIN-rail
- 6 TE bij 16 & 32 A
- 8 TE bij 63A
- In 0-positie afsluitbaar
- Hittebestendige contactdrager
- Vernikkelde contacten
- 63A: Kontex-plus en raamklemmen
- Waterdicht IP67

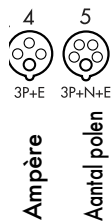


12 MB 12

| AMPERE  | 16      |         | 32      |         | 63      |         |
|---------|---------|---------|---------|---------|---------|---------|
| POLZAHL | 4       | 5       | 4       | 5       | 4       | 5       |
| a       | 134,0   | 134,0   | 134,0   | 134,0   | 180,0   | 180,0   |
| b       | 365,0   | 365,0   | 365,0   | 365,0   | 460,0   | 460,0   |
| c       | 117,0   | 117,0   | 117,0   | 117,0   | 160,0   | 160,0   |
| d       | 348,0   | 348,0   | 348,0   | 348,0   | 440,0   | 440,0   |
| e       | 136,0   | 143,0   | 152,0   | 158,0   | 191,0   | 191,0   |
| f       | 389,0   | 389,0   | 399,0   | 399,0   | 500,0   | 500,0   |
| g Ø     | 6,5     | 6,5     | 6,5     | 6,5     | 8,3     | 8,3     |
| h       | 8,0     | 8,0     | 8,0     | 8,0     | 6,5     | 6,5     |
| i       | M 25/32 | M 25/32 | M 32/40 | M 32/40 | M 40    | M 40    |
| k       | M 25/32 | M 25/32 | M 32/40 | M 32/40 | M 32/40 | M 32/40 |

### Wandcontactdoos

- Afschakelbaar, vergrendeld
- Met 3 pol. C-automat
- In 0-positie afsluitbaar
- Hittebestendige contactdrager
- Vernikkelde contacten
- 63A: Kontex-plus en raamklemmen
- Waterdicht IP67




| 110V<br>50-60 Hz |            |            | 230V<br>50-60 Hz |            |            | 400V<br>50-60 Hz |            |            | 500V<br>50-60 Hz |            |            | 100-300<br>Hz<br>> 50V |             |             | 301-500<br>Hz<br>> 50V |            |            |
|------------------|------------|------------|------------------|------------|------------|------------------|------------|------------|------------------|------------|------------|------------------------|-------------|-------------|------------------------|------------|------------|
| 3pol<br>4h       | 4pol<br>4h | 5pol<br>4h | 3pol<br>6h       | 4pol<br>9h | 5pol<br>9h | 3pol<br>9h       | 4pol<br>6h | 5pol<br>6h | 3pol<br>7h       | 4pol<br>7h | 5pol<br>7h | 3pol<br>10h            | 4pol<br>10h | 5pol<br>10h | 3pol<br>2h             | 4pol<br>2h | 5pol<br>2h |


Verp.  
eenh.

Gewicht


G/  
stuk

|   |    |   |  |  |        |        |        |  |  |  |  |  |  |  |  |  |   |      |
|---|----|---|--|--|--------|--------|--------|--|--|--|--|--|--|--|--|--|---|------|
|  | 16 | 4 |  |  | 17 275 | 17 055 | 17 337 |  |  |  |  |  |  |  |  |  | 1 | 1960 |
|   | 16 | 5 |  |  |        |        | 17 056 |  |  |  |  |  |  |  |  |  | 1 | 2000 |
|   | 32 | 4 |  |  | 17 276 | 17 057 | 17 338 |  |  |  |  |  |  |  |  |  | 1 | 2100 |
|   | 32 | 5 |  |  |        | 17 058 |        |  |  |  |  |  |  |  |  |  | 1 | 2110 |
|   | 63 | 4 |  |  | 17 277 | 17 059 | 17 339 |  |  |  |  |  |  |  |  |  | 2 | 4300 |
|   | 63 | 5 |  |  |        | 17 060 |        |  |  |  |  |  |  |  |  |  | 2 | 4500 |


Wanneer pilotcontact gewenst dan artnr. + P bestellen. Voor 63A

|   |    |   |  |  |        |        |  |  |  |  |  |  |  |  |  |  |   |      |
|---|----|---|--|--|--------|--------|--|--|--|--|--|--|--|--|--|--|---|------|
|  | 16 | 4 |  |  | 17 280 | 17 281 |  |  |  |  |  |  |  |  |  |  | 1 | 2350 |
|   | 16 | 5 |  |  |        | 17 282 |  |  |  |  |  |  |  |  |  |  | 1 | 2400 |
|   | 32 | 4 |  |  | 17 283 | 17 284 |  |  |  |  |  |  |  |  |  |  | 1 | 2500 |
|   | 32 | 5 |  |  |        | 17 285 |  |  |  |  |  |  |  |  |  |  | 1 | 2520 |
|   | 63 | 4 |  |  | 17 286 | 17 287 |  |  |  |  |  |  |  |  |  |  | 2 | 4700 |
|   | 63 | 5 |  |  |        | 17 288 |  |  |  |  |  |  |  |  |  |  | 2 | 5000 |

Wanneer pilotcontact gewenst dan artnr. + P bestellen. Voor 63A

|   |    |   |  |  |        |        |        |  |  |  |  |  |  |  |  |  |   |      |
|---|----|---|--|--|--------|--------|--------|--|--|--|--|--|--|--|--|--|---|------|
|  | 16 | 4 |  |  | 17 278 | 17 061 | 17 340 |  |  |  |  |  |  |  |  |  | 1 | 2000 |
|   | 16 | 5 |  |  |        | 17 062 |        |  |  |  |  |  |  |  |  |  | 1 | 2030 |
|   | 32 | 4 |  |  | 17 162 | 17 063 | 17 341 |  |  |  |  |  |  |  |  |  | 1 | 2150 |
|   | 32 | 5 |  |  |        | 17 064 |        |  |  |  |  |  |  |  |  |  | 1 | 2170 |
|   | 63 | 4 |  |  | 17 279 | 17 065 | 17 342 |  |  |  |  |  |  |  |  |  | 2 | 4450 |
|   | 63 | 5 |  |  |        | 17 066 |        |  |  |  |  |  |  |  |  |  | 2 | 4600 |

Wanneer pilotcontact gewenst dan artnr. + P bestellen. Voor 63A

|   |    |   |  |  |        |        |  |  |  |  |  |  |  |  |  |  |   |      |
|---|----|---|--|--|--------|--------|--|--|--|--|--|--|--|--|--|--|---|------|
|  | 16 | 4 |  |  | 17 289 | 17 290 |  |  |  |  |  |  |  |  |  |  | 1 | 2400 |
|   | 16 | 5 |  |  |        | 17 291 |  |  |  |  |  |  |  |  |  |  | 1 | 2450 |
|   | 32 | 4 |  |  | 17 292 | 17 293 |  |  |  |  |  |  |  |  |  |  | 1 | 2550 |
|   | 32 | 5 |  |  |        | 17 294 |  |  |  |  |  |  |  |  |  |  | 1 | 2570 |
|   | 63 | 4 |  |  | 17 295 | 17 296 |  |  |  |  |  |  |  |  |  |  | 2 | 5000 |
|   | 63 | 5 |  |  |        | 17 297 |  |  |  |  |  |  |  |  |  |  | 2 | 5100 |

Wanneer pilotcontact gewenst dan artnr. + P bestellen. Voor 63A